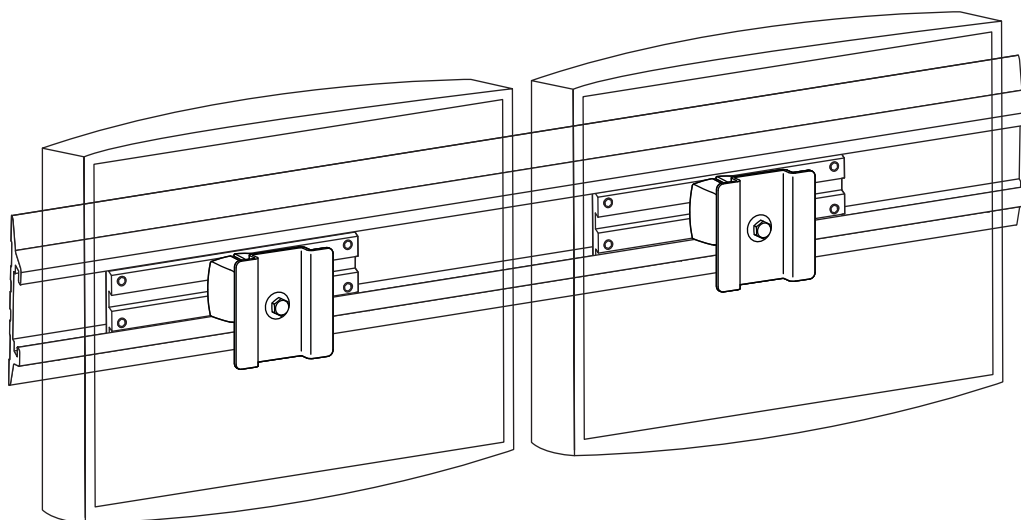


# ergotron®

---

## Neo-Flex Dual Display Wall Mount



---

**English**



For the latest User Installation Guide please visit: [www.ergotron.com](http://www.ergotron.com)

English, Español, Français, Deutsch, Nederlands, Italiano, Svenska, 日本語, 汉语

[www.ergotron.com](http://www.ergotron.com) | USA: 1-800-888-8458 | Europe: +31 (0)33-45 45 600 | China: 400-120-3051 | Japan: [japansupport@ergotron.com](mailto:japansupport@ergotron.com)

---

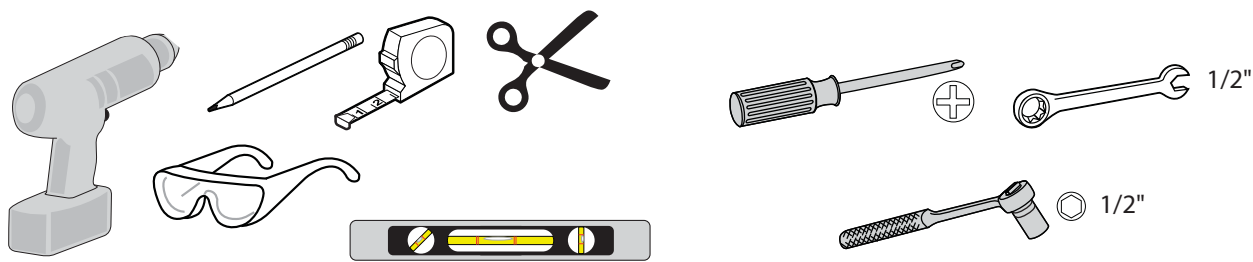
# Components

	A	B	C	D
1	1x		2x	4x
2	4x  ST6.3 x 50 mm		4x  ST6.3 x 50 mm	
3	8x  M4 x 10mm	8x	1/8"	3/32"
4	2x  75-100mm	2x	8x	2x
5	8x  1/4-20 x 1/2" set screw	8x  8-32 x 5/16"	8x  #8-32 x 1/4"	8x  M4 x 10mm
5	8x  M6 x 70mm		8x  1/4-20 x 2"	8x  M6

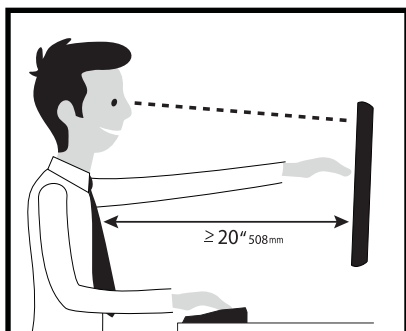


## Tools Needed

See Wall Mounting Options for additional tools needed for your type of wall installation.

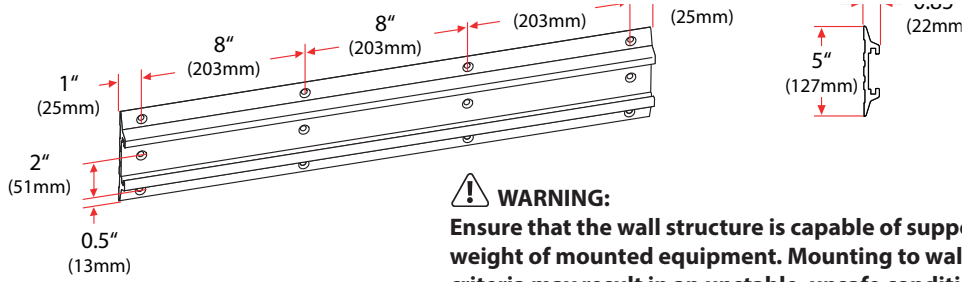


# 1 Determine Ergonomic Mounting Height



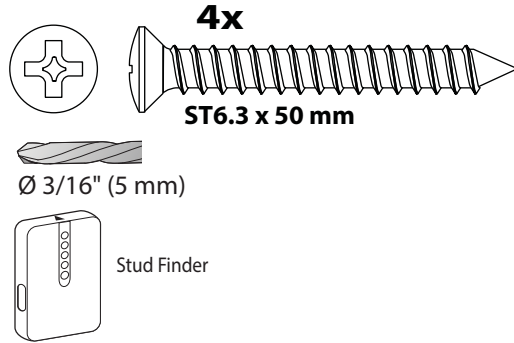
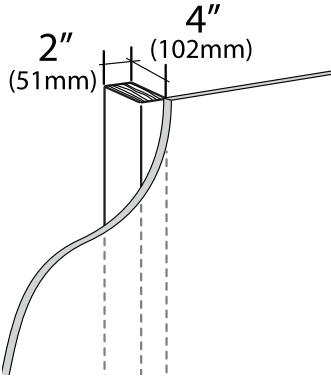
Learn more about ergonomic computer use at: [www.ergotron.com/ergonomics](http://www.ergotron.com/ergonomics)

# 2 Wall Mounting Options

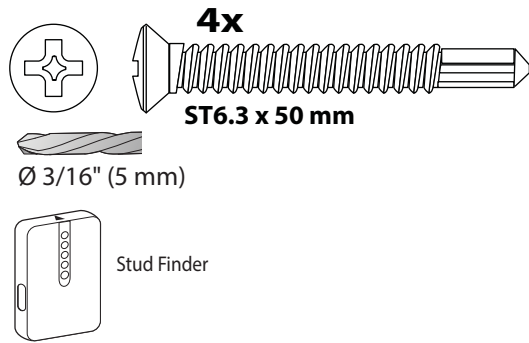
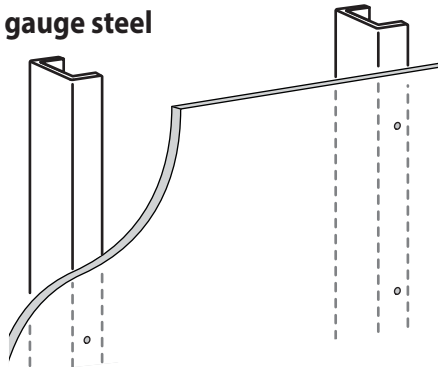


**WARNING:**  
 Ensure that the wall structure is capable of supporting four times the total weight of mounted equipment. Mounting to wall surfaces that do not meet this criteria may result in an unstable, unsafe condition which could lead to personal injury and/or property damage. Consult a construction professional if you have any doubt about what this means in regard to your particular application.

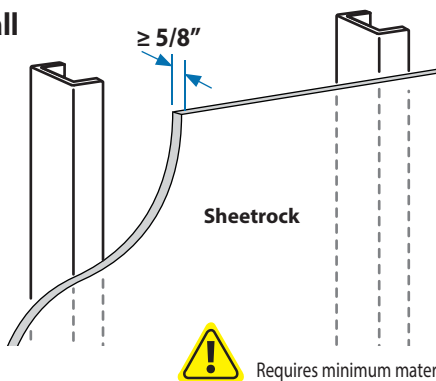
## Wood



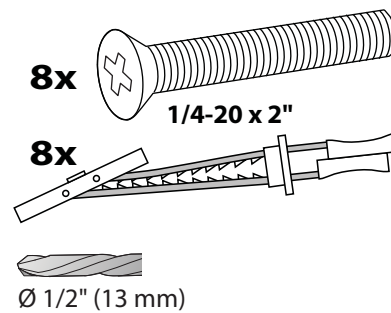
## Studs ≥ 25 gauge steel



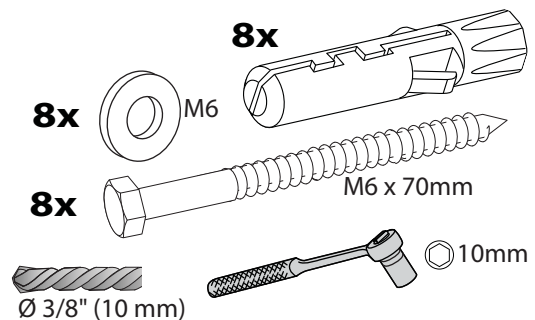
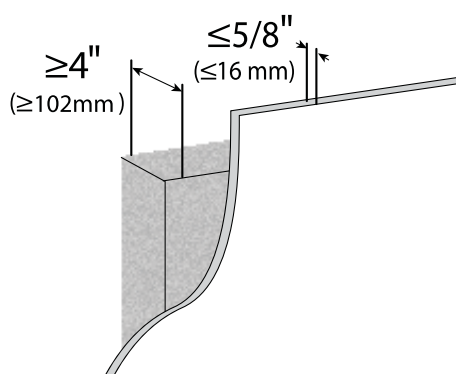
## Hollow Wall



Requires minimum material thickness of 5/8" (16 mm).



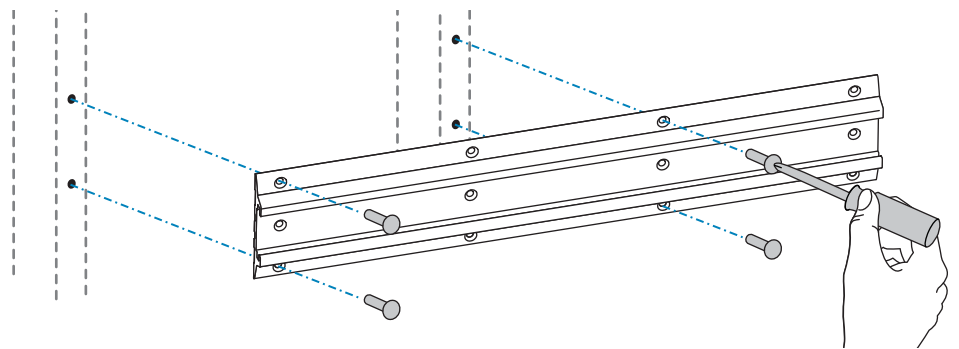
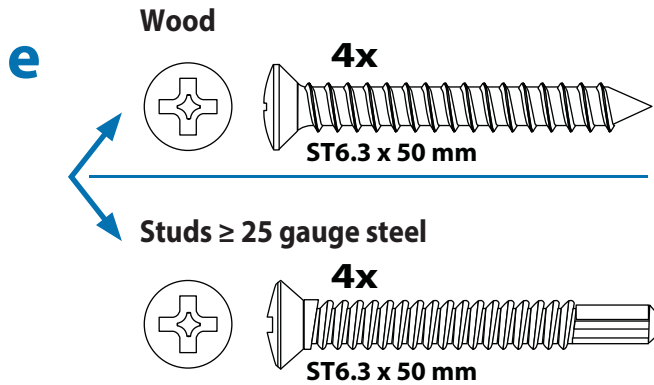
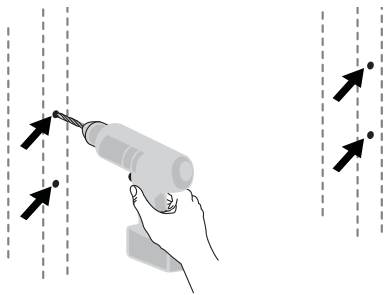
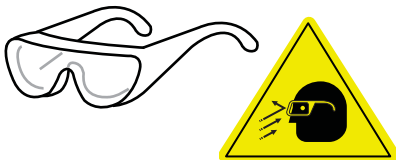
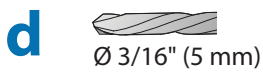
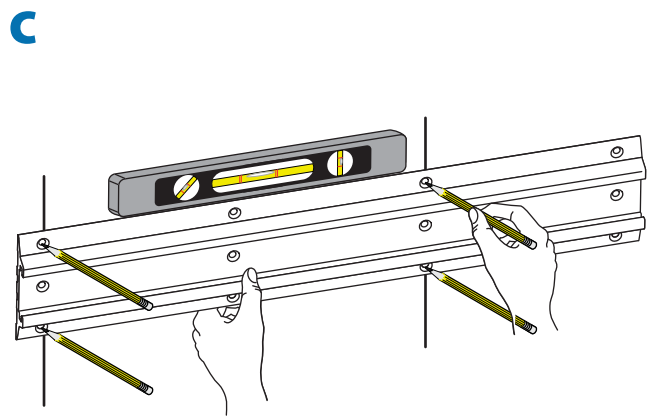
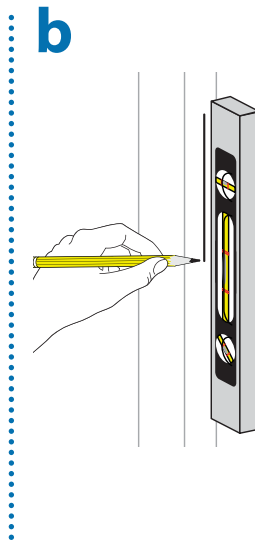
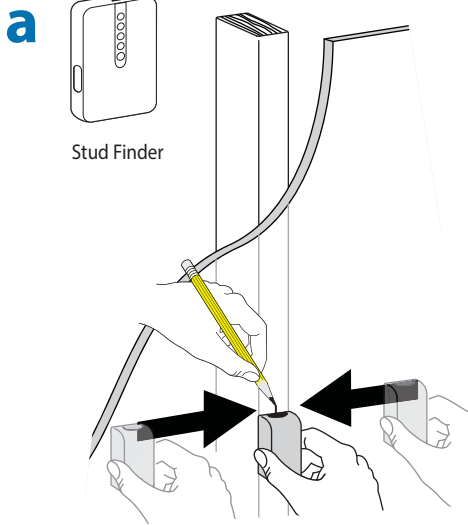
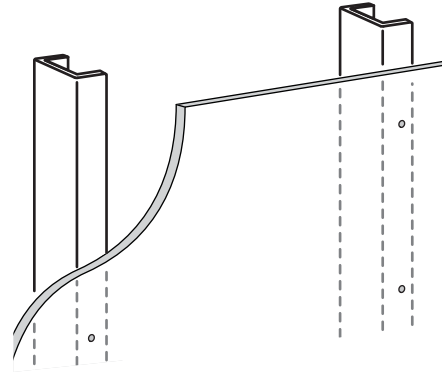
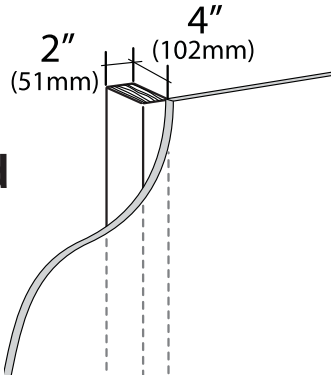
## Concrete



# 3 Attach to Wall

Studs  $\geq$  25 gauge steel

Wood

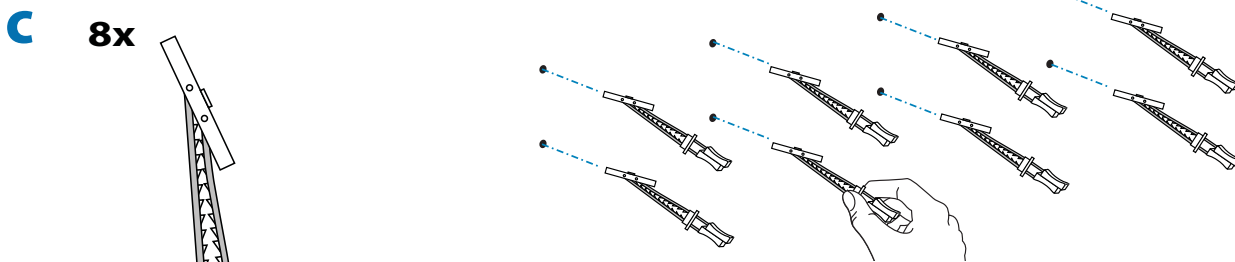
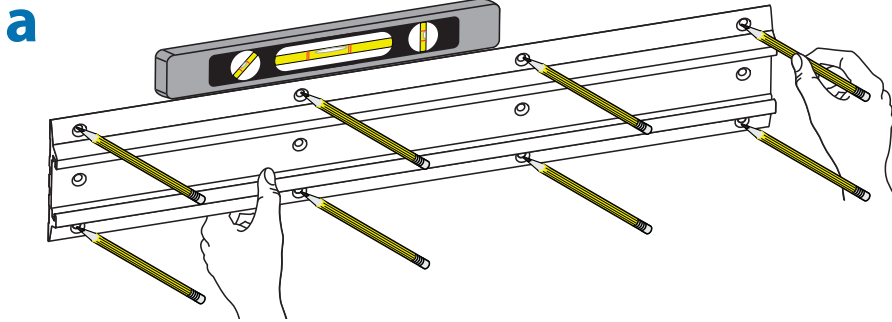
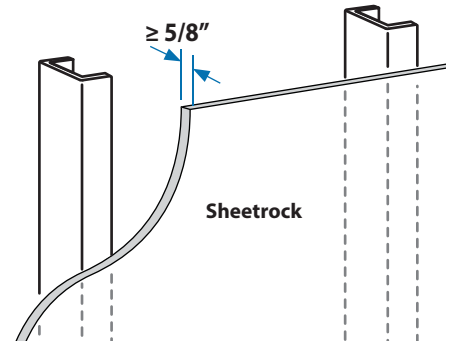


**NOTE:** Fasteners may unwind due to vibration caused by movement of mounting solution over time. Inspect mounting solution for loose fasteners on a routine basis. If desired, apply a light duty thread locking adhesive to fasteners before installation to prevent back-out.

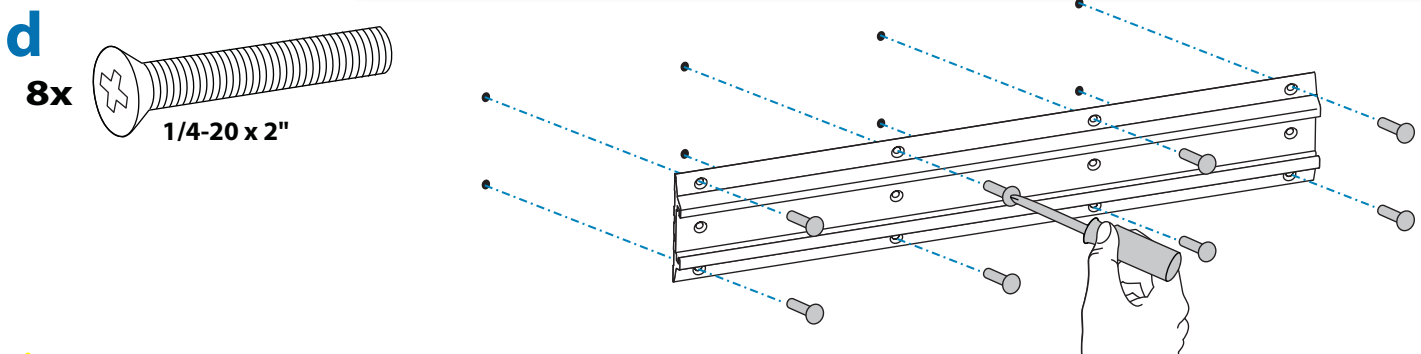


# 3 Attach to Wall

## Hollow Wall



1. Push anchor plate into hole.  
2. Pull loop back so plate opens flat against inside surface of wall.  
3. Push collar into hole.  
4. Snap off loop.

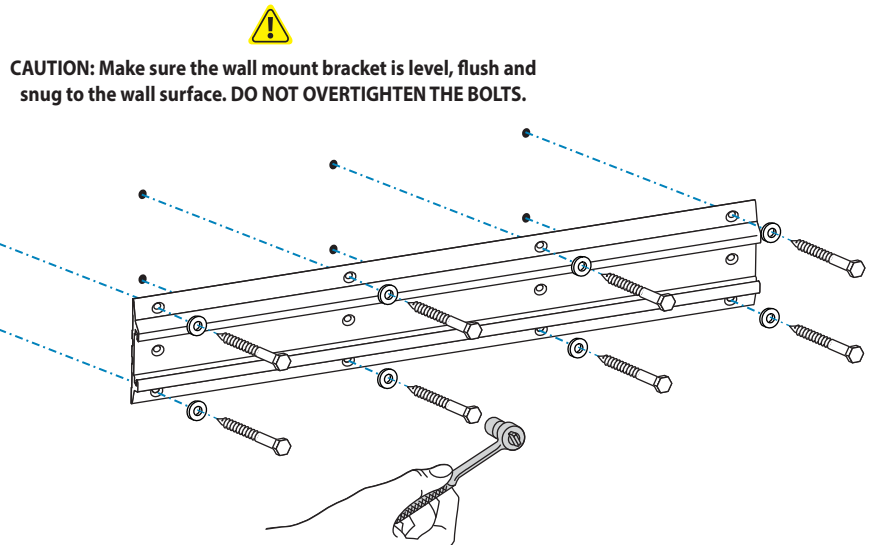
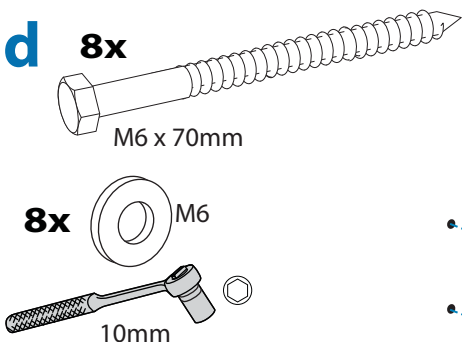
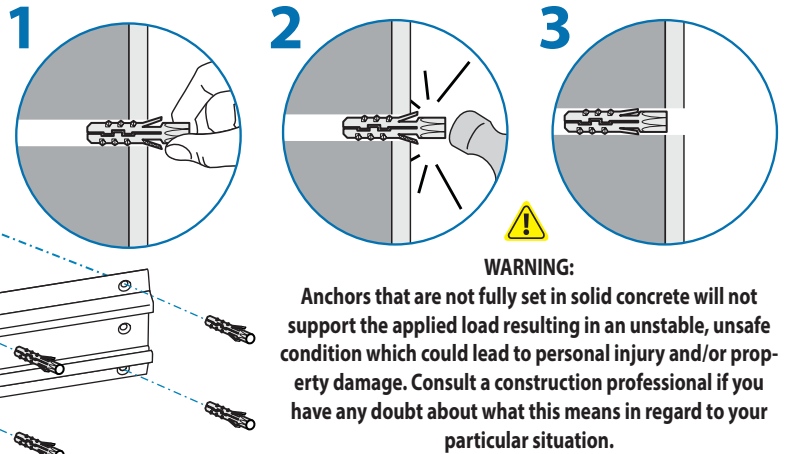
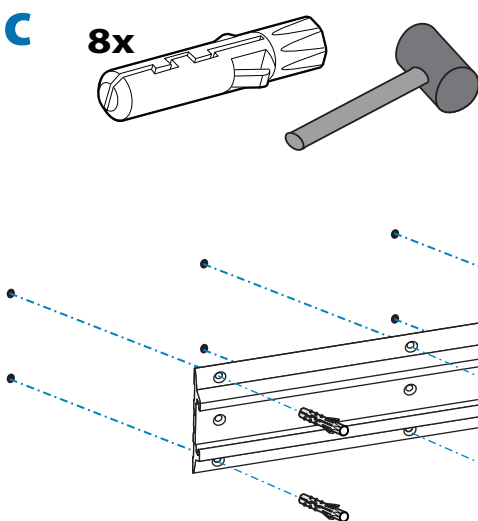
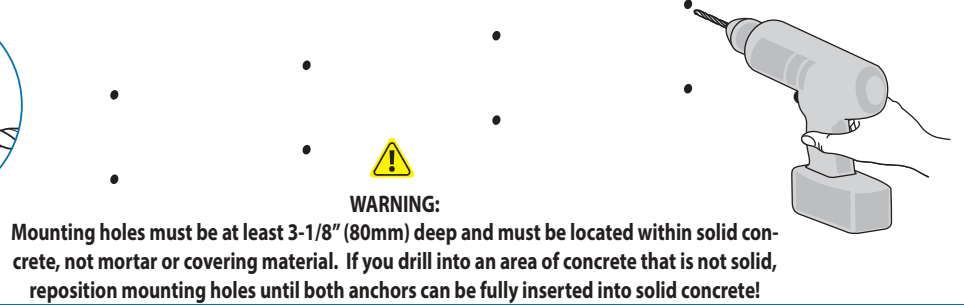
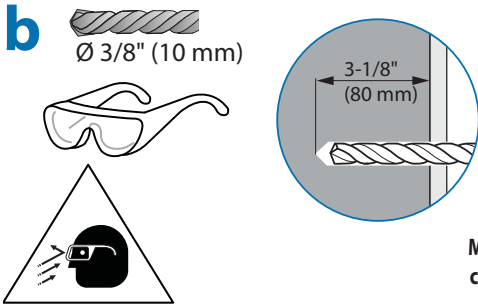
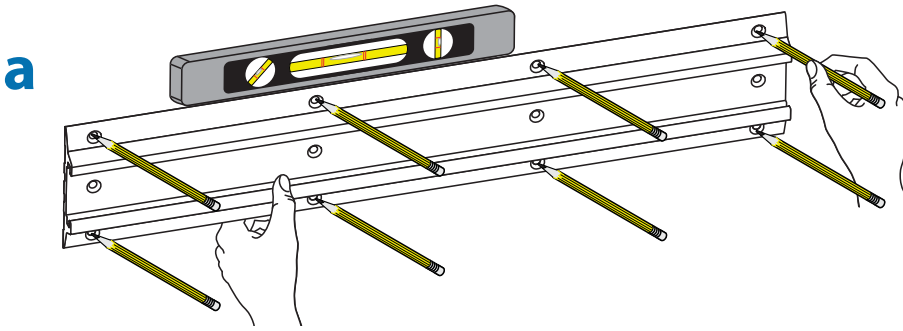
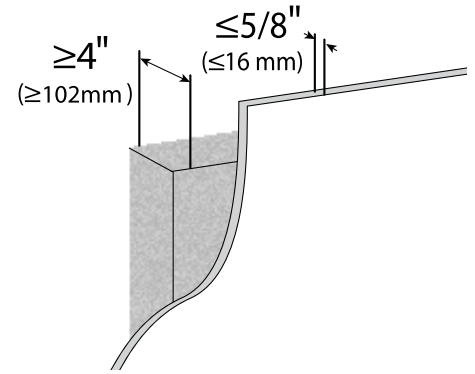


**NOTE:** Fasteners may unwind due to vibration caused by movement of mounting solution over time. Inspect mounting solution for loose fasteners on a routine basis. If desired, apply a light duty thread locking adhesive to fasteners before installation to prevent back-out.



# 3 Attach to Wall

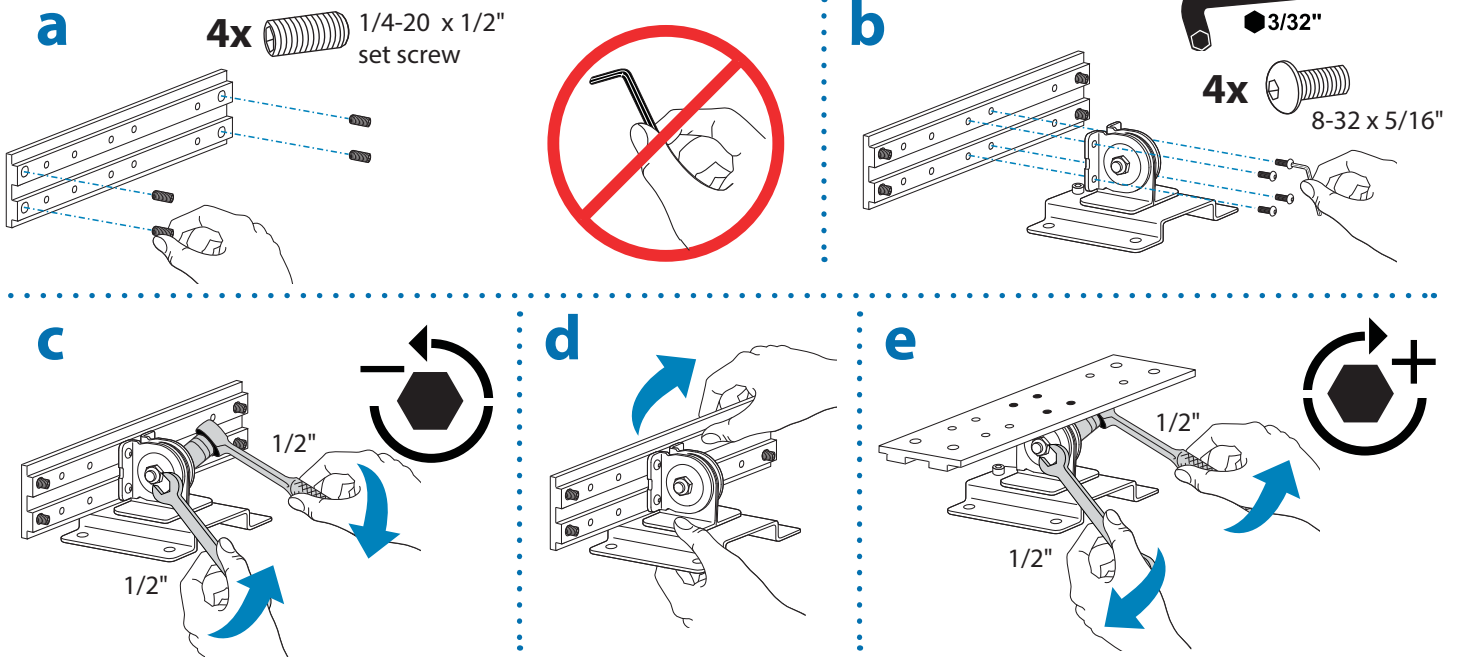
Concrete



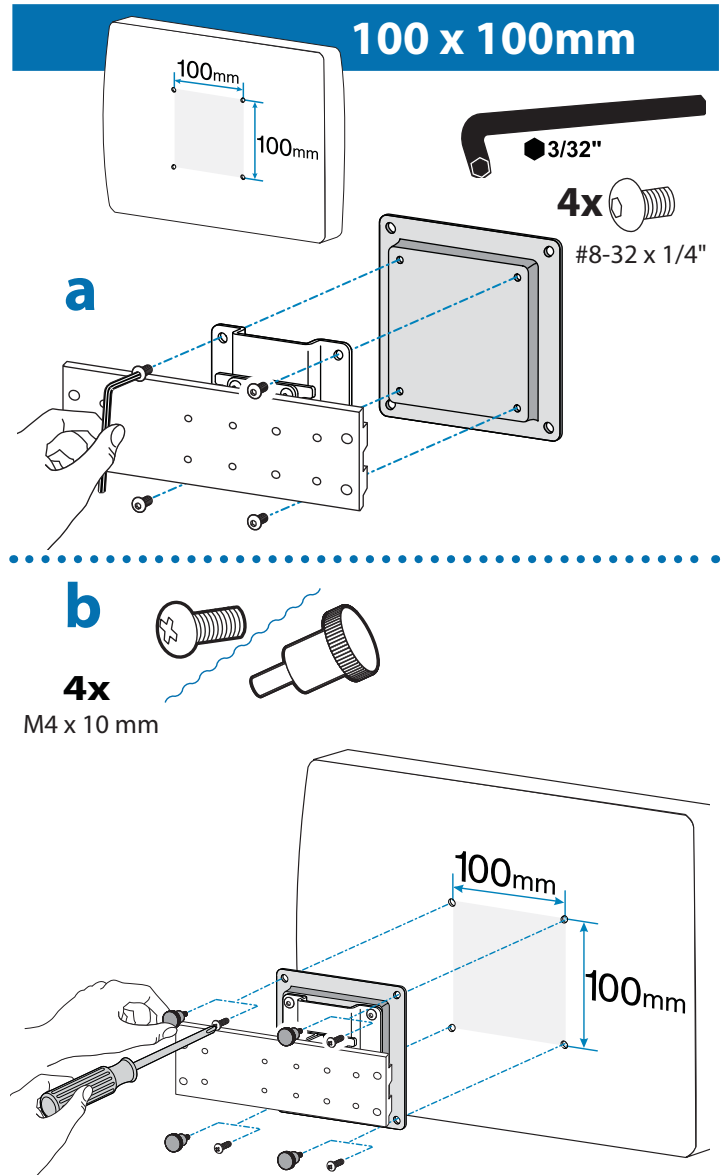
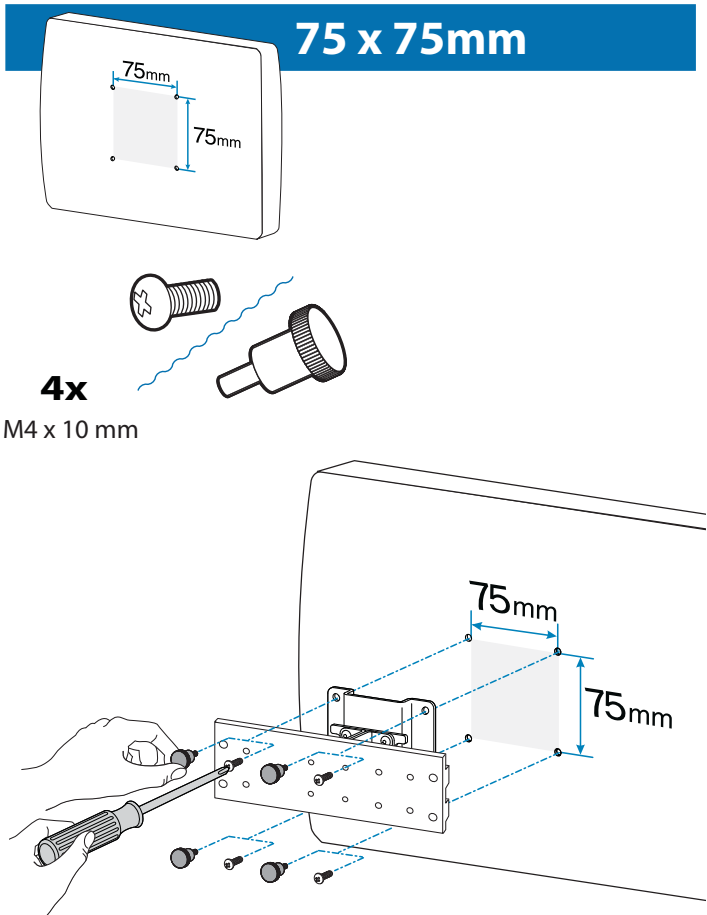
**NOTE:** Fasteners may unwind due to vibration caused by movement of mounting solution over time. Inspect mounting solution for loose fasteners on a routine basis. If desired, apply a light duty thread locking adhesive to fasteners before installation to prevent back-out.



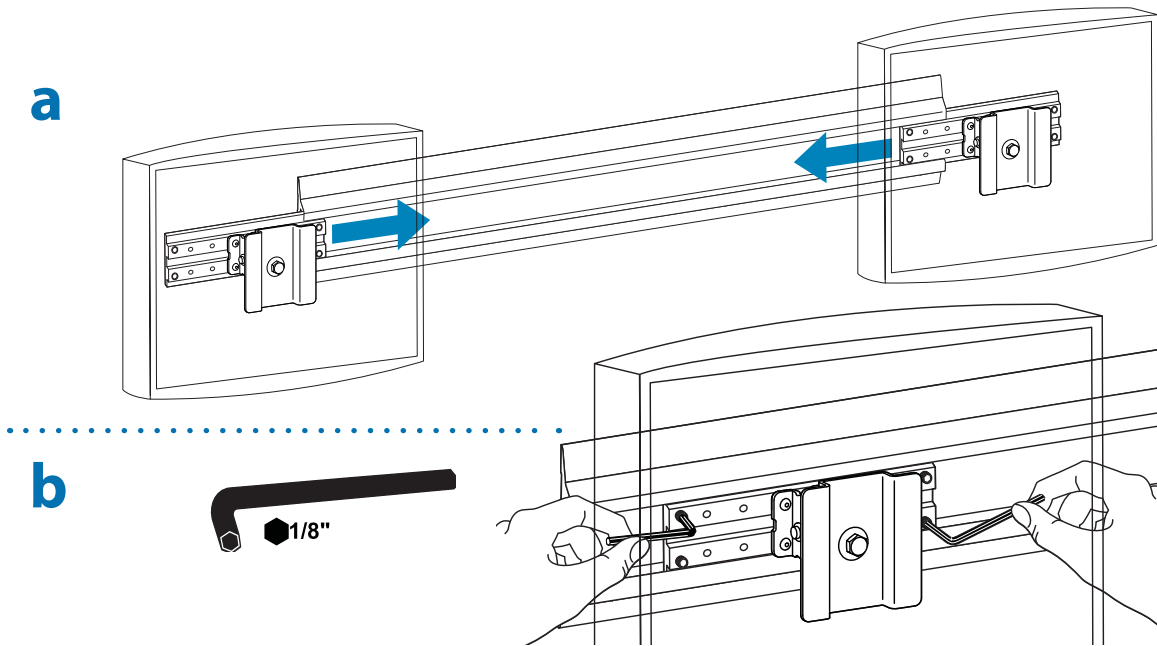
# 4 Attach Pivots to Brackets



# 5 Attach Displays



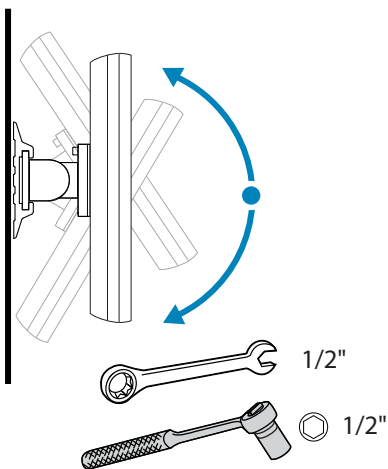
## 6 Attach Displays to Wall Bracket



## 7 Range of Motion

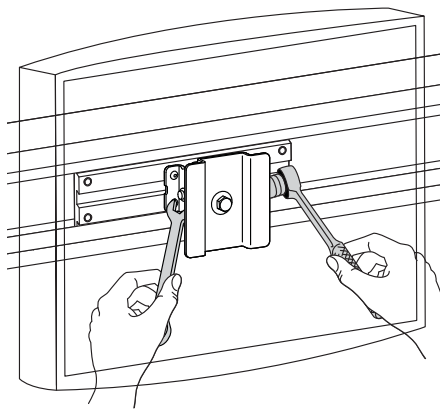
This product is designed to adjust quickly and easily according to your needs – refer to following steps for adjustment.

### a Tilt – Forward and Backward



### Adjust Tilt – Forward and Backward

If it does not stay in place or movement is stiff, tension needs adjustment. Adjust until motion is equal.



#### Increase Friction

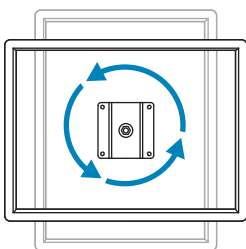
If this product moves too easily, then you'll need to increase friction:



#### Decrease Friction

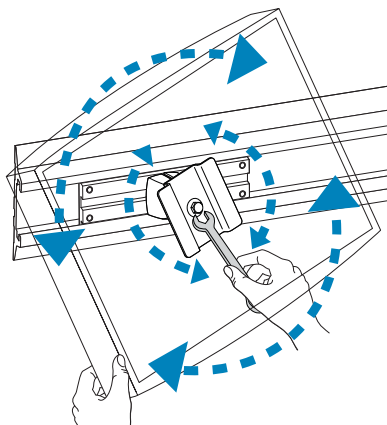
If this product is too difficult to move, then you'll need to decrease friction:

### b Rotate - Portrait/Landscape



### Adjust Rotate – Portrait/Landscape

If it does not stay in place or movement is stiff, tension needs adjustment. Adjust until motion is equal.



#### Increase Friction

If this product moves too easily, then you'll need to increase friction:

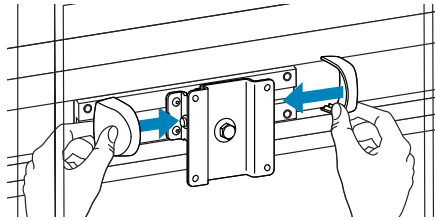


#### Decrease Friction

If this product is too difficult to move, then you'll need to decrease friction:



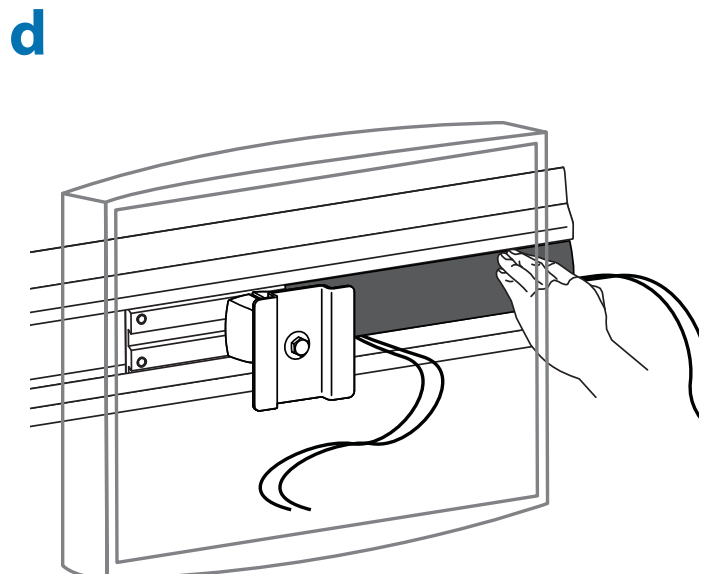
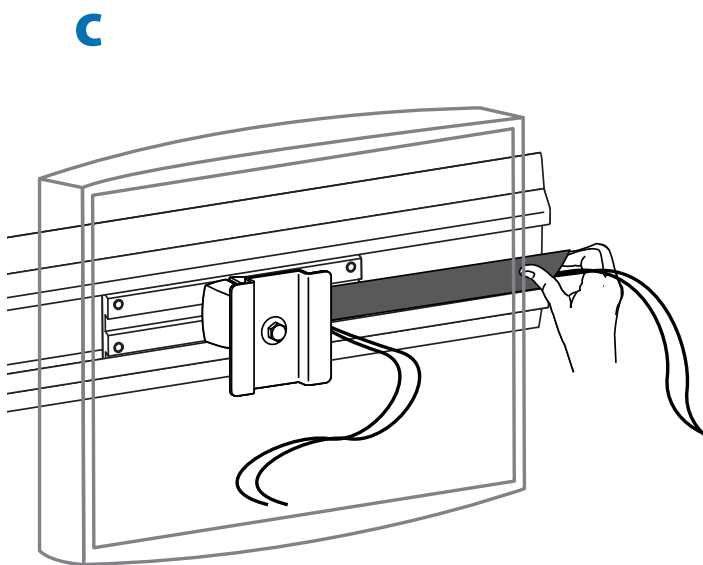
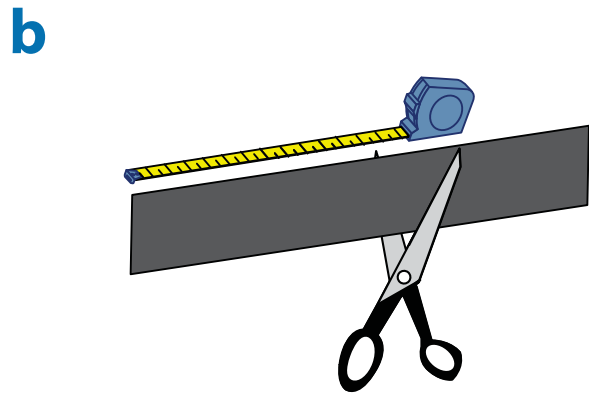
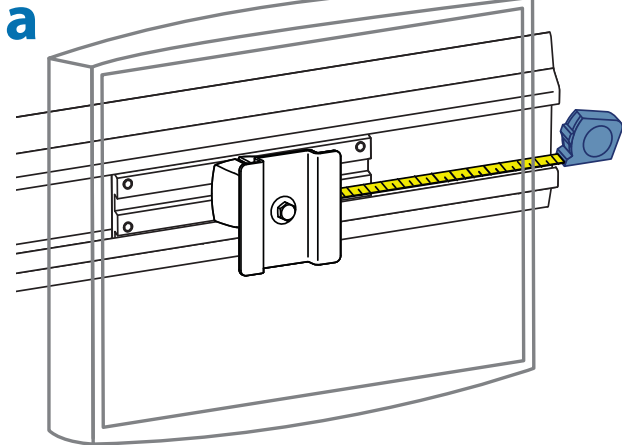
## 8 Attach Pivot Covers



2x



## 9 Attach Cable Management



# ergotron®

For Warranty visit: [www.ergotron.com/warranty](http://www.ergotron.com/warranty)

For Service visit: [www.ergotron.com](http://www.ergotron.com)

For local customer care phone numbers visit: <http://contact.ergotron.com>

NOTE: When contacting customer service, reference the serial number.

[www.ergotron.com](http://www.ergotron.com) | USA: 1-800-888-8458 | Europe: +31 (0)33-45 45 600 | China: 400-120-3051 | Japan: [japansupport@ergotron.com](mailto:japansupport@ergotron.com)

© 2015 Ergotron, Inc. All rights reserved.

While Ergotron, Inc. makes every effort to provide accurate and complete information on the installation and use of its products, it will not be held liable for any editorial errors or omissions (including those made in the process of translation from English to another language), or for incidental, special or consequential damages of any nature resulting from furnishing this instruction and performance of equipment in connection with this instruction. Ergotron, Inc. reserves the right to make changes in the product design and/or product documentation without notification to its users. For the most current product information, or to know if this document is available in languages other than those herein, please contact Ergotron. No part of this publication may be reproduced, stored in a retrieval system, or transmitted in any form or by any means, electronic, mechanical, photocopying, recording or otherwise without the prior written consent of Ergotron, Inc., 1181 Trapp Road, Eagan, Minnesota, 55121, USA. Patents Pending and Patented U.S. & Foreign. Ergotron is a registered trademark of Ergotron, Inc.